



Carr. 869, Calle 4 Las Palmas Industrial Park, Cataño, Puerto Rico 00962

Tel. 787-641-2420

Sterling SCU1-27R Undercounter Refrigerator

Model: SCU1-27R



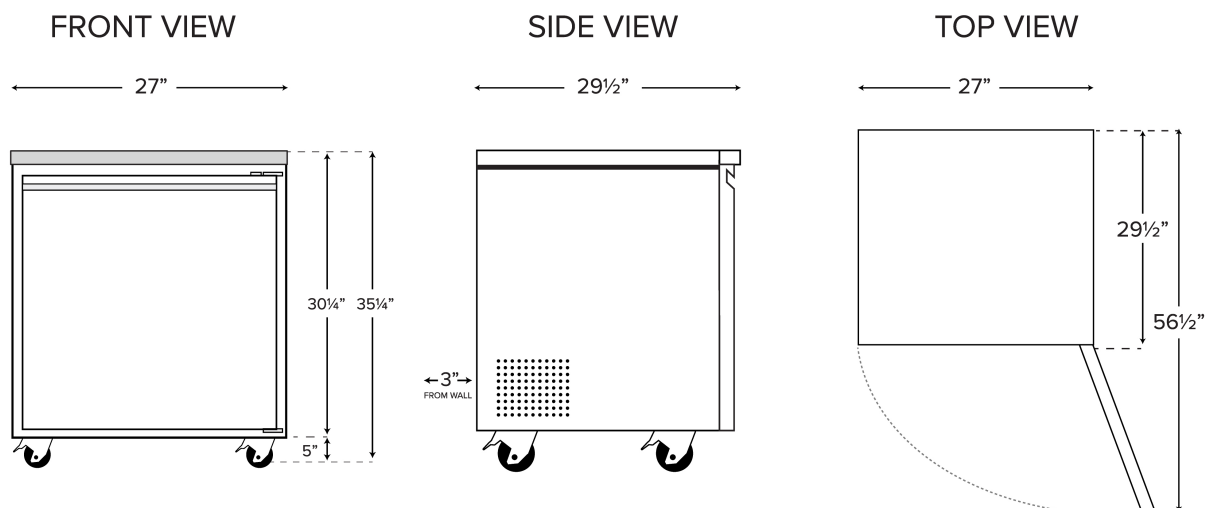
Technical Data

Width	27 Inches
Depth	29 1/2 Inches
Height	35 1/4 Inches
Power Cord Length	84 Inches
Interior Width	22 1/4 Inches
Right Door Opening Width	22 1/4 Inches
Interior Depth	22 7/8 Inches
Interior Height	23 1/2 Inches
Work Surface Height	35 1/4 Inches
Amps	1.1 Amps

Features

- Strong and sleek 430 type stainless steel exterior
- 304 type stainless steel interior maintains temperatures from 33 to 40 degrees Fahrenheit
- Foamed-in-place polyurethane insulation
- Casters for easy mobility
- 115V; 1/4 hp; 1.1 Amps

Dimensions



Technical Data

Hertz	60 Hertz
Phase	1 Phase
Voltage	115 Volts
Access Type	Doors
BTU (LBP)	666 BTU
Capacity	5.5 cu. ft.
Compressor Location	Rear Mounted
Compressor Style	Side / Rear Breathing
Door Style	Swing
Door Type	Solid
Features	Self-Closing Doors
Hinge Location	Right
Horsepower	1/4 HP
Individual Shelf Capacity	88 lb.
Number of Doors	1 Doors
Number of Shelves	1 Shelf
Plug Type	NEMA 5-15P
Refrigerant Capacity	2.8 oz.
Refrigerant Type	R-290
Style	Counter Height
Temperature Range	33 - 40 Degrees F
Top Capacity	441 lb.
Type	Refrigerators Undercounter Refrigerators

Notes & Details

Make cold food storage as convenient as possible with the Avantco 27" undercounter refrigerator. With a spacious refrigerated portion readily accessible through its door, the unit opens up to a shelf to help you organize your ingredients and best utilize the 5.5 cu. ft. interior. Plus, because it accommodates up to 88 lb., the epoxy-coated steel shelf is well equipped for holding heavy bulk ingredients, from dozens of eggs to jars of condiments and sauces.

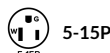
This unit is designed for outstanding durability to ensure that it withstands tough, busy kitchen environments with ease. It features a 430 type stainless steel exterior, which provides both strength and a smooth, sleek appearance. The interior, made with 304 type stainless steel, also offers the durability necessary for heavy, regular use. Because of its undercounter design, the unit effortlessly adds refrigerated storage space without requiring space devoted solely to its footprint.

This refrigerator ensures optimal performance by operating with a 1/4 hp refrigeration system that circulates R290 hydrocarbon refrigerant to maintain temperatures from 33 to 40 degrees Fahrenheit. R290 refrigerant has an ozone depletion potential (ODP) of 0 and a global warming potential (GWP) of 3. The foamed-in-place polyurethane insulation helps to add rigidity to the body's structure.

Operation of the refrigerator is easy, thanks to its special features. Monitor it by consulting the interior wall-mounted thermometer, and use the auto-defrost feature on the pre-programmed digital controller to maintain the refrigerator in tip-top shape. At the end of the day, take advantage of the casters and roll the unit aside to thoroughly clean the area. This undercounter unit requires a 115V electrical connection for operation.

⚠ WARNING: This product can expose you to chemicals including lead, which are known to the State of California to cause cancer, birth defects, or other reproductive harm. For more information, go to www.p65warnings.ca.gov.

Certifications



www.sterlingprofessionalpr.com

OLDACH
REFRIGERATION, AIR CONDITIONING & VENTILATION SUPPLIER