



Carr. 869, Calle 4 Las Palmas Industrial Park, Cataño, Puerto Rico 00962

Tel. 787-641-2420

Sterling SSU3-72-30M Three Door Mega Top Stainless Steel Refrigerated Sandwich Prep Table

Model: SSU3-72-30M



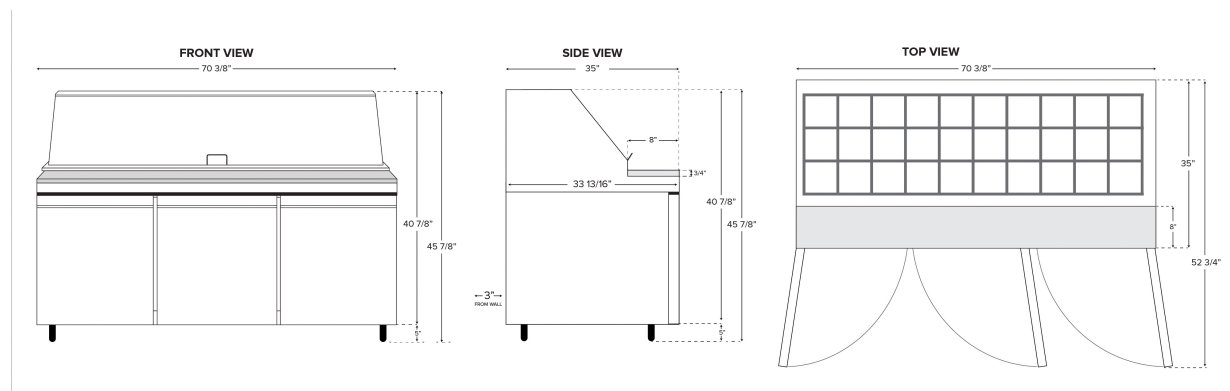
Technical Data

Width	70 3/8 Inches
Depth	35 Inches
Height	45 7/8 Inches
Power Cord Length	84 Inches
Cutting Board Width	70 3/8 Inches
Interior Width	66 1/2 Inches
Left Door Opening Width	19 5/16 Inches
Middle Door Opening Width	19 5/16 Inches
Nominal Width	72 Inches
Right Door Opening Width	19 5/16 Inches

Features

- Mega top accommodates (30) 1/6 size, 6" deep food pans (sold separately)
- Industry-best 3/4" cutting board is built-in for convenient prep space and removable for cleaning
- Digital control with auto defrost
- Stainless steel exterior and interior; foamed-in-place polyurethane insulation
- 115V; 2/3 hp compressor; R290 refrigerant; 3.3 Amps
- 2 year Parts and Labor Warranty ensures long-lasting peace of mind

Dimensions



Technical Data

Cutting Board Depth	8 Inches
Interior Depth	23 3/4 Inches
Height with Lid Open	51 5/8 Inches
Interior Height	23 1/2 Inches
Work Surface Height	35 1/4 Inches
Amps	3.3 Amps
Hertz	60 Hertz
Phase	1 Phase
Voltage	115 Volts
1/6 Size Pan Capacity	30 Pans
Access Type	Doors
BTU (LBP)	2080 BTU
Capacity	18 cu. ft.
Casters	With Casters
Compressor Location	Bottom Mounted
Compressor Style	Side / Rear Breathing
Construction	Stainless Steel
Door Style	Swing
Door Type	Solid
Horsepower	2/3 HP
Individual Shelf Capacity	88 lb.
Number of Doors	3 Doors
Number of Shelves	3 Shelves
Plug Type	NEMA 5-15P
Refrigerant Capacity	3.9 oz.
Refrigerant Type	R-290
Refrigeration Type	Air Cooled
Style	Counter Height
Temperature Range	33 - 40 Degrees F
Top Type	Mega Top

Certifications



ETL, US & Canada



ETL Sanitation



5-15P

OLDACH
REFRIGERATION, AIR CONDITIONING & VENTILATION SUPPLIER

www.sterlingprofessionalpr.com

